



IS 775

DELTA OPHTHALMIC UNIT



IS 775 DELTA INSTRUMENT STAND FOR THREE INSTRUMENTS

Unit Base

Both right and left units are available with tabletop elevation.

Combination of two smooth and fast acting movements of tabletop (both rotation and sliding) which operate with electro-magnetic brake to place each instrument in the correct position.

Control panel with an easy access.

Equipped with an aluminium made pole to support the halogen lamp, phoropter arm and projector arm. All adaptable in height and position.

Resistant base for the chair protected against scratches by a plastic polyurethane cover.

Selection of wooden finishes are available.

Superb cabling for data and power cables.

Dedicated glass plate for customer frames.

Standard trial lens drawer.

Wheel chair access possibility (factory option)

Various optional accessories are available for creating your ideal setup such as several holders for power supplies of phoropter and slitlamp flash, two types of desks and an optional arm for a fourth instrument.



Arm and tabletop

Arm support for the tabletop made in aluminium with rotation and sliding system and electro-brake.

Tabletop for 3 instruments and additional arm for a fourth instrument as an option.

Choice out of tabletop with trial lens drawer, tabletop with free drawer or tabletop with no drawer.

Chinrest support for the slit lamp.

Security device for patient legs under the tabletop.



Phoropter arm

Choice out of three phoropter arms with regulation for different weights (4.5-10 Kg) and adjustable in force, horizontal & vertical position and direction.

VT-73 lineal movement phoropter arm with right/left rotation for especially computerized phoropter CV-3000

VT-70 with mechanical block

VT-71 with automatic balancing system



Pole and main lamp

Made from extruded aluminium with side slots to attach the projector and phoropter arms, both height adjustable.

The overhead lamp is attached to the upper part of the pole.

Halogen lamp of 100W/230V regulated through the main panel.



Furniture colour options

Different finishing sets; the IS-775 unit is available in two painted colours and three types of wood.

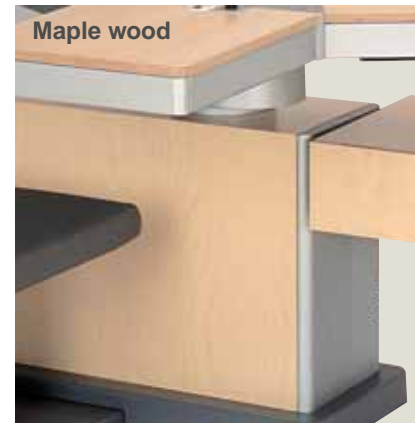
When configuring the unit there is a finishing set option for the table top, chassis cover and standard trial lens drawer in standard white and light blue colours, or Maple, Cherry and Sapelli wood.



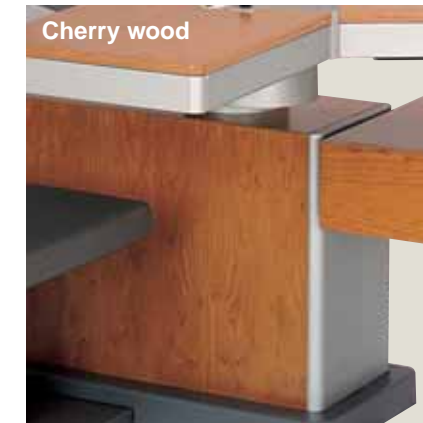
White painted



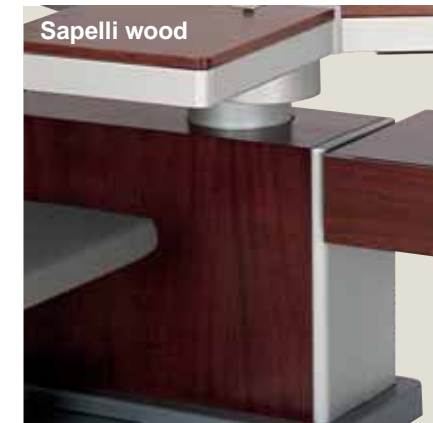
Blue painted



Maple wood



Cherry wood



Sapelli wood



Black



Blue



Grey

Chair line up

OC-72 fixed backrest, no armrest and optional footrest.

Horizontal displacement kit (100 mm.) as an option.

Low starting position of the chair for easy access of children and smaller patients.

Standard available in three colours: black, blue and grey.

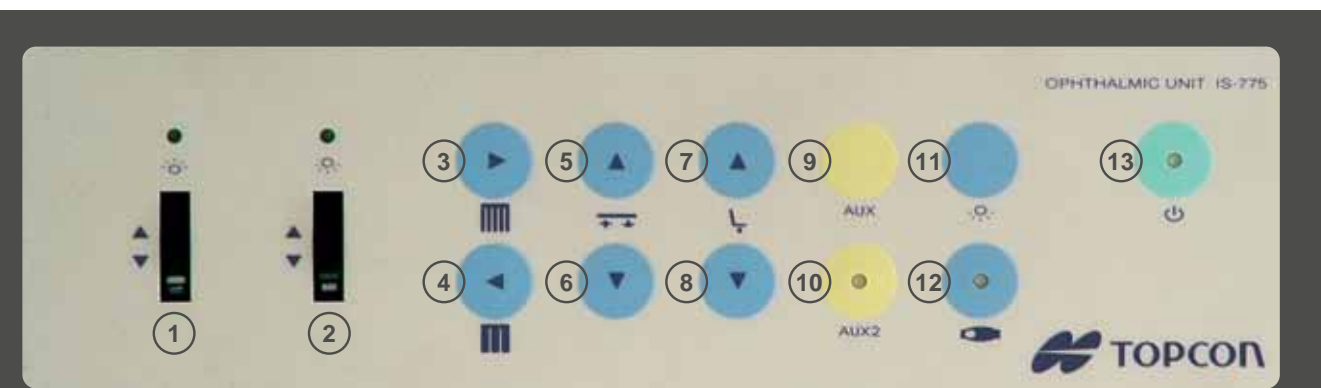
Optional chairs available on request.

Technical specifications of the OC 72 chair

| | |
|--|------------------------------------|
| Backrest | Fixed type |
| Armrest | No |
| Footrest | Optional accessory. Reclining type |
| Maximum Load | 175 kg. |
| Horizontal displacement | Optional (100 mm.) |
| Standard base plate | Possible |
| Wheelchair base plate | Possible |
| Maximum height (on platform) | 620 mm. |
| Minimum height (on platform) | 450 mm. |
| Stroke mm. | 170 |
| 80° rotation with manual brake | Yes |
| Maximum Power Consumption | 700 VA |
| Power | 230 V AC / 50-60 Hz |
| Electrical Classification Isolation: | Class I B |
| Net weight | 37 Kg |
| Electrical protection degree | IP21 |
| Overload: thermal protection. | 135° |
| Motor stop 3 min approx. Duty cycle 1/9 min. | |

Technical specifications of the unit

| | |
|---|------------------------|
| Power consumption | 220-240 V ac / 50-60Hz |
| Maximum Consumption | 1300 VA |
| Electrical classification | Class I, Type B |
| Electrical protection degree | IP21 |
| Max. rotation angle swivel tabletop | 320° DEG |
| Power consumption for instruments | 0-12 V ac / 30 W |
| Power consumption of near vision lamp | 0-12 V ac / 50W |
| Background Lamp Consumption | 5 V ac / 100 mA |
| Power consumption of Digital Camera DC-1 | 12 V dc / 1 A |
| Curtains: Contacts free of potential on Auxiliary PCB | Max 230 V ac / 5A |
| Maximum load on phoropecter arm VT-70 / VT-71 | 4,5 to 10 Kg. |
| Maximum load of instruments on each tabletop | 20 Kg |
| Net weight | 222 kg |
| PC desk | 630 x 600 x 780 mm |
| Arm for fourth instrument | 360 x370 x 860 mm |
| Desk | 1210 x 600 x 780 mm |
| Trial lens drawer and PC | 600 x 600 x 780 mm |
| Holder CV power & FD-21 | 565 x 430 x 340 mm |
| Holder CV power | 565 x 430 x 175 mm |



Functions of the main panel

- | | | |
|---|--|--|
| <p>1 Unit Lamp regulation control with a without end digital encoder and equipped with electronic soft-start system to protect the bulb. 0-230V / 50Hz, max 250W power supply for overhead lamp.</p> <p>2 Lecture Lamp regulation control with a without end digital encoder and equipped with electronic soft-start system to protect the bulb.</p> <p>3 Push button for opening the curtain.</p> <p>4 Push button for closing the curtain.</p> <p>5 Push button for lifting up tabletop.</p> | <p>6 Push button for descending tabletop. It is de-activated when the security system placed in the inferior part of the table top to protect patient legs is activated.</p> <p>7 Push button for lifting up chair. It is de-activated when the security system is active.</p> <p>8 Push-button for descending chair. A fast double pulsation, pressing twice make descend chair automatically to the repose position.</p> <p>9 Switch ON/OFF for auxiliary connection</p> | <p>AUX-1, free of potential, max 250 Vac / 250 VA.</p> <p>10 Switch ON/OFF for auxiliary connection AUX-2, output power supply 230Vac/50Hz, max 250 VA. The green led indicates the function is activated.</p> <p>11 Switch ON/OFF for Lecture lamp.</p> <p>12 Switch ON/OFF for projector 230 Vac / 250 VA. The green led indicates the function is activated.</p> <p>13 General switch ON / OFF for power supply. The green led indicates the unit is activated.</p> |
|---|--|--|

Options

Main unit available in left or right versions and two colour options: blue (RAL 5014) or standard grey (RAL 7037).

Choice out of 3 different upholstery colours at OC-72 chair: black, blue or grey.

OC-72 base plate with wheels (can be moved in case of wheel chair set up)

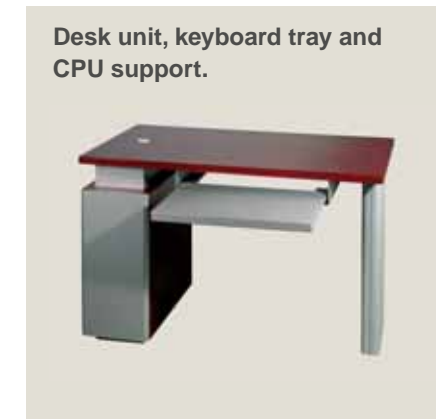
Choice out of 3 different phoropter arms: VT-70 / VT-71 / VT-73



PC desk



Trial lens drawer with PC housing



Desk unit, keyboard tray and CPU support.

Wheel chair access IS 775

Specific features:

- The wheel chair version is a factory option
- Only available in right version of unit in combination with OC-72 chair.
- Unit stability is guaranteed by optional extra weight or fixation to the floor.
- Designed according to ISO standards for wheelchair configuration: ISO 14971. This norm applies to both the unit and wheelchair.

Besides this standard, we have taken ergonomic principles and dimension issues in consideration. We enclose the following norms:

ISO 6440: 1985 & UNE 111-913-91
Nomenclature and features about wheel chairs.

ISO 7193: 1985 & UNE 111-914-91 & UNE 111-915-91
Dimensions about wheel chairs.

ISO 6385: 1981
Ergonomic principles in the design of work systems

ISO 7176-5: 1986
Wheelchairs. Part 5. Determination of overall dimensions, mass and turning space.

ISO 9241-1/A1: 2002
Part 1. Ergonomic requirements, general introduction.

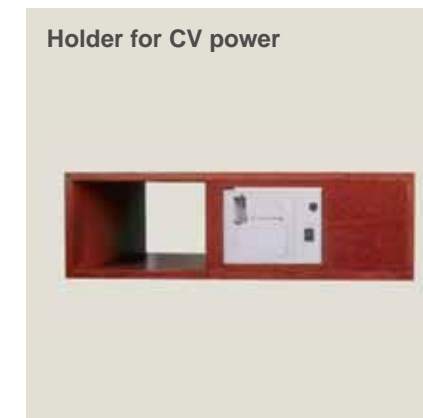
ISO 9241-5: 1999
Part 5. Conception to the workplace and postural requirements.

ISO 9241-1: 1997
Ergonomic principles for office workplaces with Data display devices.

ISO 14971: 2000
Application to Risk management to medical devices.



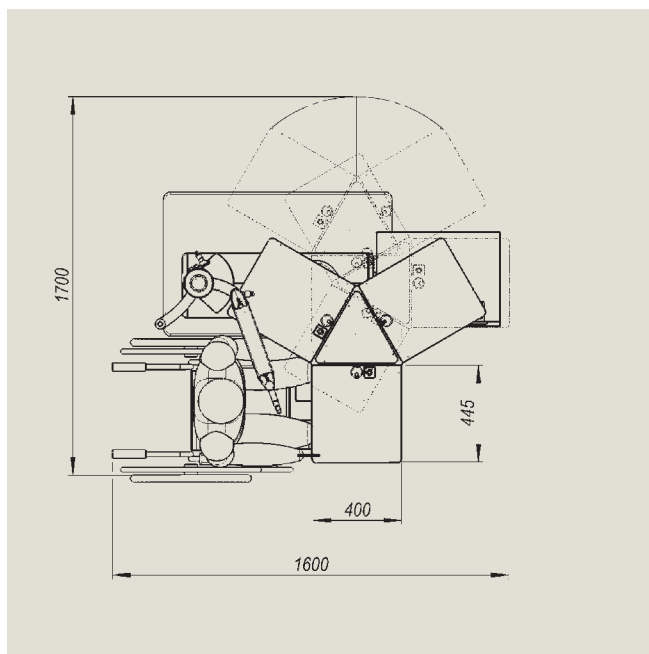
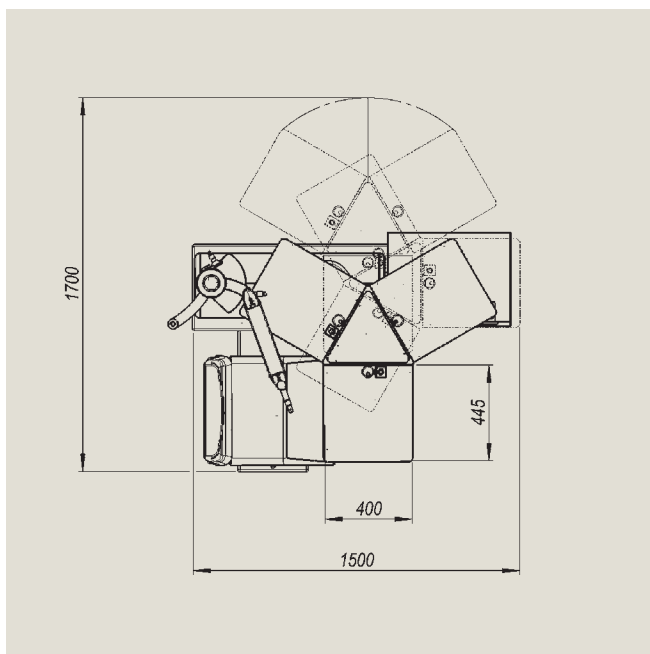
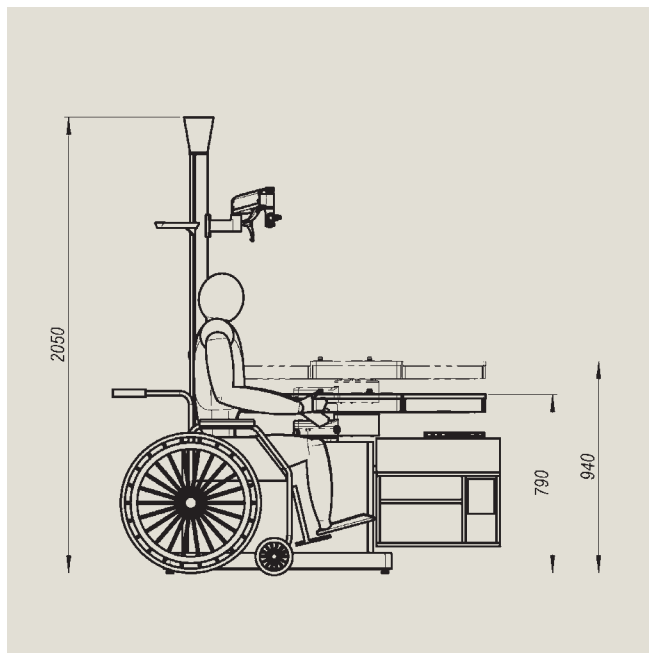
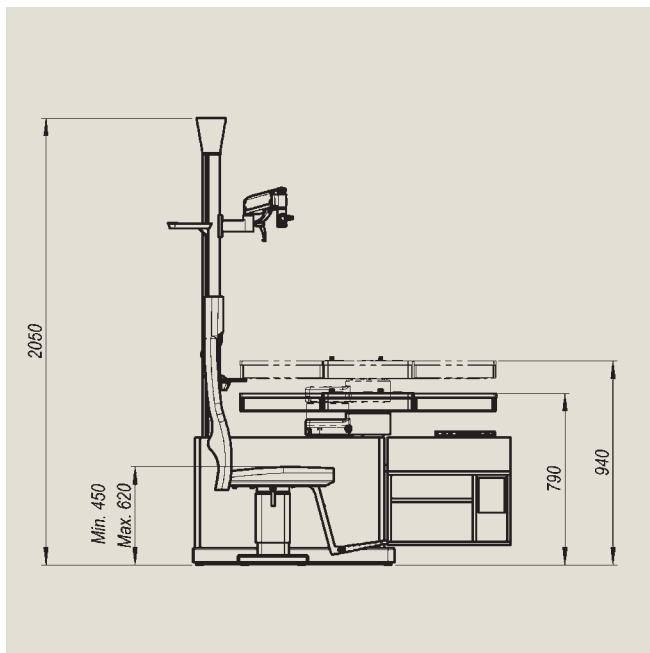
Arm for fourth instrument



Holder for CV power



Holder for CV power & FD-21



Topcon Deutschland GmbH
 Weidkamp 180
 45356 Essen, Germany
 Phone: (+49) 2018619200
 Fax: (+49) 2018619270
 E-mail: info@topcon.de
 www.topcon.de

Topcon Scandinavia A.B.
 Neogatan 2
 P.O. Box 25
 43151 Mölndal, Sweden
 Phone: (+46) 31 7109200
 Fax: (+46) 31 268607
 E-mail: medical@topcon.se

Topcon España S.A.
 HEAD OFFICE
 Frederic Mompou, 5
 08960 Sant Just Desvern,
 Barcelona Spain
 Phone: (+34) 93 4734057
 Fax: (+34) 93 4191532
 E-mail: medica@topcon.es
 www.topcon.es

Topcon S.A.R.L.
 HEAD OFFICE
 89 rue de Paris
 92585 Clichy, France
 Phone: (+33) 1 41069494
 Fax: (+33) 1 47390251

Topcon (Great Britain) Ltd.
 Topcon House
 Kennet Side
 Bone Lane
 Newbury
 Berkshire RG14 5PX, United Kingdom
 Phone: (+44) 1635 551120
 Fax: (+44) 1635 551170
 E-mail: sales@topcon-gb.demon.co.uk

Topcon Europe Medical B.V.
 Essebaan 11, 2908 LJ
 P.O. Box 145, 2900 AC
 Capelle a/d IJssel, The Netherlands
 Phone: (+31) 10 4585077
 Fax: (+31) 10 4585045
 E-mail: medical@topcon.nl
 www.topconeuropa.com

Topcon Italia
 Viale dell'Industria, 60
 20037 Paderno Dugnano (Mi) Italy
 Phone +39 02/ 899 19 307
 Fax +39 02/ 899 19 308
 E-mail: info.topconitaly@tiscali.it

Topcon Danmark
 Ringsstedvej 125
 4000 Roskilde, Denmark
 Phone: (+45) 46 327500
 Fax: (+45) 46 327555
 E-mail: topcon@topcon-dk.dk

MADRID OFFICE
 Avenida Ciudad de Barcelona 81,
 1 Planta 28007 Madrid Spain
 Phone: (+34) 91 5524160
 Fax: (+34) 91 5524161

LYON OFFICE
 138, Avenue du 8 Mai 1945
 69100 Villeurbanne, France
 Phone: (+33) 4 78688237
 Fax: (+33) 4 78681902

Topcon Ireland
 Unit, 69
 Western Parkway Business Cnt
 Lr Ballymount Road
 Dublin 12 - Ireland
 Tel 00-353-1460 0021
 Fax 00-353-1460 0129
 E-mail: Topcon@indigo.ie