


OPERATION MICROSCOPE  
**OVS-90** 



# *An innovative concept providing optimal observation and versatile operation*

*The following unique features are  
incorporated in the new OMS-90  
Operation Microscope:*

*New Coaxial Illumination*

*Stain-proof Coated Objective Lens*

*Parallel Binocular Tube*

*PD Adjustment Knob*

*Built-in Yellow Filter*

*Compact Base*

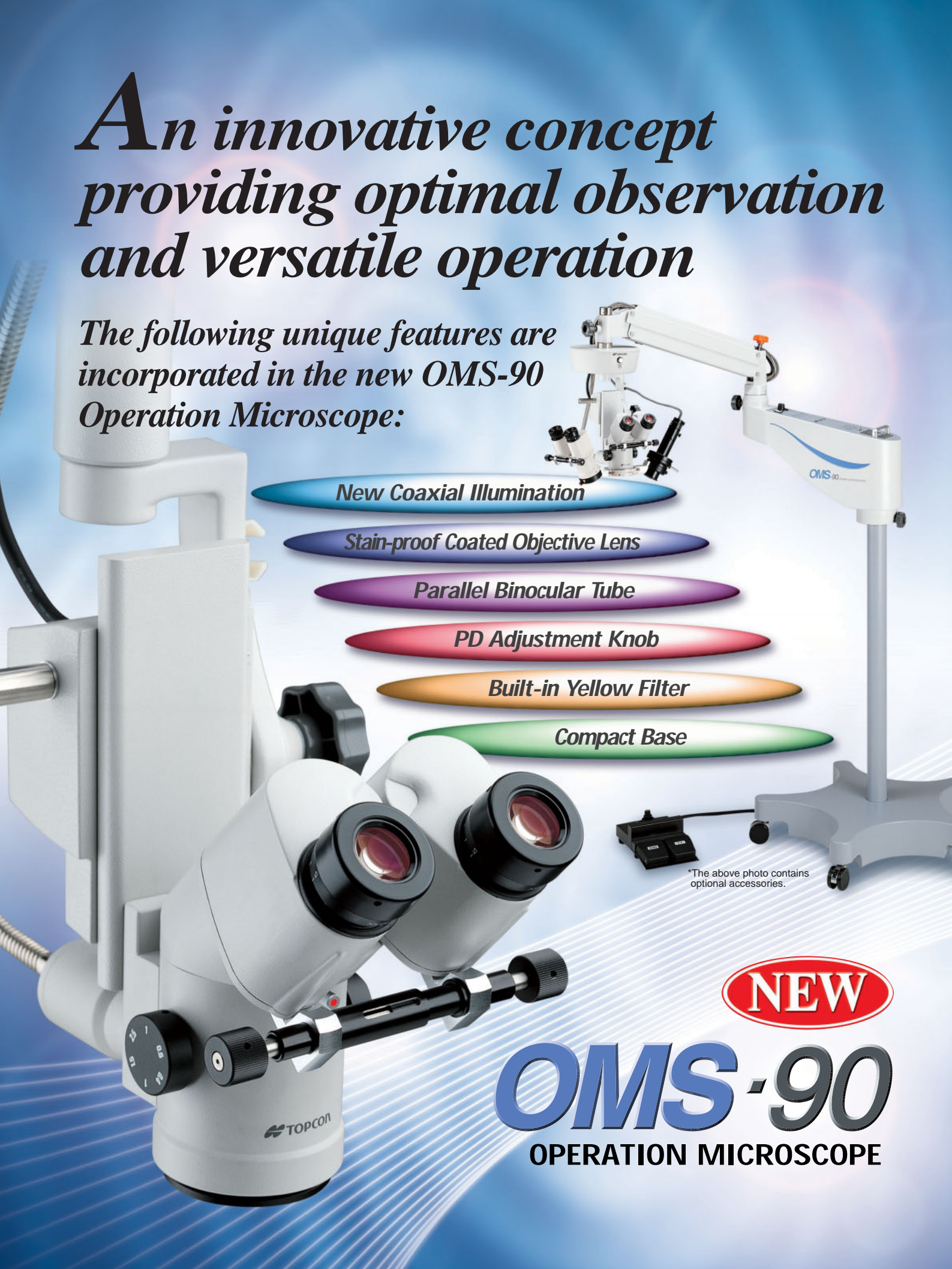


\*The above photo contains  
optional accessories.

**NEW**

# **OMS-90**

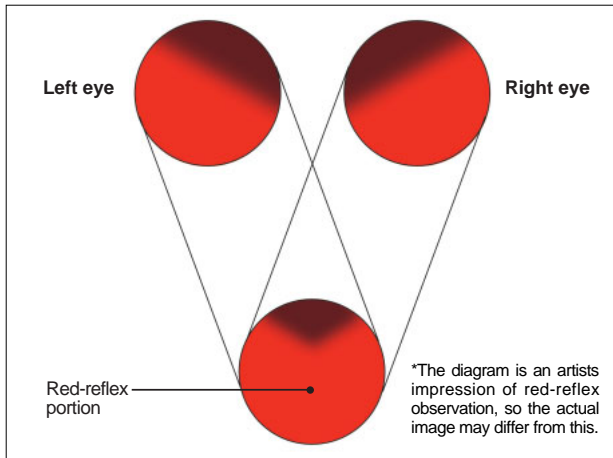
**OPERATION MICROSCOPE**



## • Features •

### ● New Coaxial Illumination

The newly designed illumination system of the OMS-90 assures the finest optical performance. The optical system has been fitted with a new and innovative design that allows the surgeon to view a sharper image, with more clarity than ever before.



The illumination system of the OMS-90 produces a superior red-reflex image for assistance in surgical procedures. As shown in the diagram, the innovative system design merges two improved field of views to produce an enhanced red-reflex and unparallelled image quality.

### ● Stain-proof Coated Objective Lens (F=200mm)

The newly developed stain-proof coating is applied to help retain a clear viewing area. The focal length (F=200mm) provides the standardized comfortable working distance.

### ● Parallel Binocular Tube

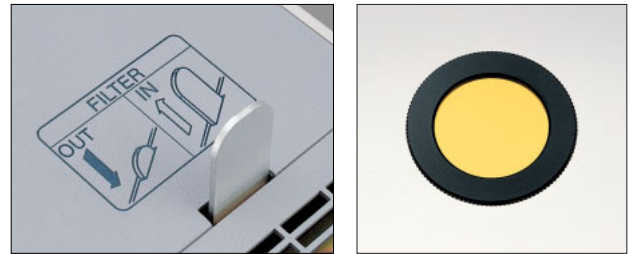
The parallel binocular tube provides a natural stereoscopic view.

### ● PD Adjustment Knob

The built-in PD adjustment feature offers easy alignment.

### ● Built-in Yellow Filter

The flip in/out yellow filter is built into the system to allow full protection against retina phototoxicity.

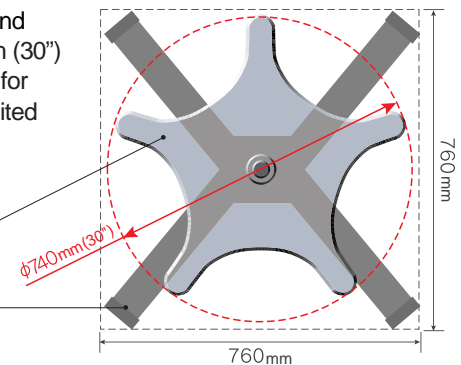


### ● Compact Base

The new sturdy and compact  $\phi 740\text{mm}$  (30") base is designed for optimal use of limited operating room floor space.

OMS-90

Previous model



## • Optional Accessories •

### ■ X-Y Translator

The X-Y translator adapter provides precise movement around the surgical field. A one-touch re-centering button is provided.



### ■ Assistant's Microscope

The parallel binocular assistant's microscope provides easy positioning, a wide field of view and 30 degrees of rotation.



### ■ Beam Splitter (80/20 or 50/50)

An 80/20 or a 50/50 beam splitter is available for the attachment of documentation devices.

### ■ Oblique Illuminator

The oblique illuminator offers a supplemental light source for indirect illumination. The slit will rotate 30 degrees and adjust from 0 to 20mm in width.



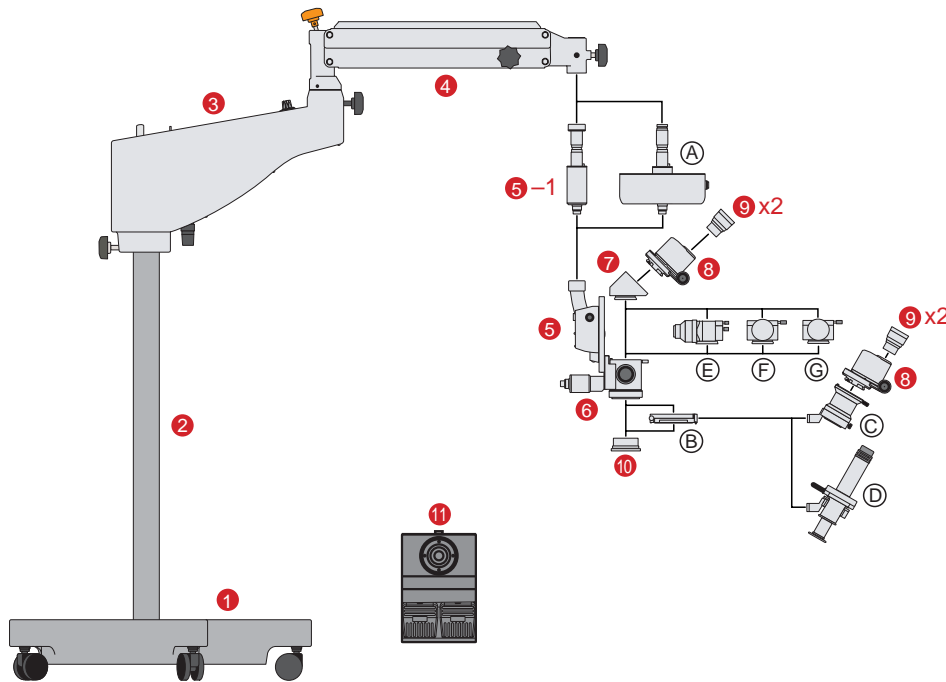
### ■ Accessory Adapter Model 2

The accessory adapter is required to attach the assistant's microscope and/or the oblique illuminator to the OMS-90.

### ■ 1/2 TV Attachment

The 1/2 TV attachment incorporates a built-in beam splitter and lets the user connect a 1/2 inch C-mount camera to the OMS-90.

## System Chart



- ①----- Base
- ②----- Column
- ③----- 1st Arm
- ④----- 2nd Arm
- ⑤----- Focusing Unit
- ⑤-1----- Joint Arm
- ⑥----- Microscope Body
- ⑦----- 45° Inclined Adapter
- ⑧----- Parallel Binocular Tube
- ⑨----- 12.5X Eyepiece
- ⑩----- F=200mm Objective Lens
- ⑪----- Foot Switch

### < Optional Accessories >

- Ⓐ----- X-Y Translator
- Ⓑ----- Accessory Adapter Model 2
- Ⓒ----- Assistant's Microscope
- Ⓓ----- Oblique Illuminator
- Ⓔ----- 1/2 TV Attachment
- Ⓕ----- Beam Splitter(80/20)
- Ⓖ----- Beam Splitter(50/50)

## Specifications

### Main microscope

<b>Binocular tube</b>	Parallel 45° inclined binocular tube
<b>Objective lens</b>	F=200mm
<b>Eyepieces</b>	12.5x
<b>Magnification change type</b>	Drum type with 5 changes
<b>Total magnification</b>	3.4x, 5.3x, 8.5x, 13.6x, 21.2x
<b>Field of view</b>	φ 66.3, φ 42.3, φ 26.3, φ 17.1, φ 10.3 mm
<b>X-Y Translator (option)</b>	Range:±25mm

### Illumination

<b>Light source</b>	12V 100W halogen lamp (light guided system) (one-touch changeable two lamps)
<b>Filter</b>	Built-in:Heat-absorbing and UV cut filters Flip-in/out :Yellow filter

### Arm(counter-balanced)

<b>Length</b>	1st arm:400mm; 2nd arm:560mm
<b>Rotational angle</b>	1st arm:360°; 2nd arm:300°

### Column base

<b>Base dimension</b>	φ 740mm (30")
-----------------------	---------------

### Power unit

<b>Primary voltage</b>	AC100~120V or AC220~240V
<b>Power frequency</b>	50/60Hz
<b>Maximum power consumption</b>	280VA

### Weight

<b>Weight</b>	97kg
---------------	------

\*Subject to change in design and/or specifications without advanced notice.

#### IMPORTANT

In order to obtain the best results with this instrument, please be sure to review all user instructions prior to operation.



TOPCON CORPORATION



Certificate No.Q18661  
TOPCON CORPORATION



Certificate No.EC97J1081  
TOPCON CORPORATION



TOPCON CORPORATION

75-1 Hasunuma-cho, Itabashi-ku, Tokyo 174-8580, Japan. Phone: 3-3558-2520 Fax: 3-3960-4214 www.topcon.co.jp

**TOPCON EUROPE B.V.**  
Essebaan 11, 2908 LJ Capelle a/d IJssel, THE NETHERLANDS  
Phone: 010-4585077 Fax: 010-4585045 www.topconeuropa.com  
**ITALY OFFICE**  
Via Montalcone 39, 20092 Cinisello B. (MI), ITALY  
Phone: 02-61-25-583 Fax: 02-61-25-927

**TOPCON S.A.R.L.**  
89, Rue de Paris 92585 Clichy, Cedex, FRANCE  
Phone: 01-41069494 Fax: 01-47390251

**TOPCON DEUTSCHLAND G.m.b.H.**  
Weidkamp 180 45356 Essen, GERMANY  
Phone: 201-8619-200 Fax: 201-8619-275 www.topcon.de

**TOPCON SCANDINAVIA A.B.**  
Neogatan 2 S-43151 Molndal, SWEDEN  
Phone: 31-7109200 Fax: 31-7109249

**TOPCON ESPAÑA S.A.**  
**HEAD OFFICE**  
Frederic Mompou 5, ED. Euro 3, 08960 Sant Just Desvern Barcelona, SPAIN  
Phone: 34-93-4734057 Fax: 34-93-4733932 www.topconesp.com  
**MADRID OFFICE**  
Avenida Burgos, 16E, 1°, 28036, Madrid, SPAIN  
Phone: 34-91-302-4129 Fax: 34-91-383-3890

**TOPCON (GREAT BRITAIN) LTD.**  
Topcon House, Kennet Side, Bone Lane, Newbury,  
Berkshire RG14 5PX United Kingdom  
Phone: 01635-551120 Fax: 01635-551170 www.topcon.co.uk