

OFFISS



OPERATION MICROSCOPE

OMS-800

OMS-800 OFFISS 

OMS-800 Pro 

OMS-800 Standard 

***Excellent stereoscopic and color corrected images,
brilliant illumination and superior operational
efficiencies for today's sophisticated operations***

OMS-800

*The new Topcon Model 800 Operation Microscope is
an ideal choice for all types of ophthalmology operations
including cataract and vitreous surgery.*



OMS-800 OFFISS

OMS-800 Pro

OMS-800 Standard

OMS-800 series provides unsurpassed optical quality for today's ophthalmology procedures

The outstanding optical system provides an aberration-free, natural appearing and crisp image for the surgeon. The objective lens and binocular eyepieces feature a newly developed 'anti-stain' coating on the lenses which assists in maintaining the ideal optical performance, even after years of use. Developed under Topcon's "user first" principle, this benefit was devised to provide high-grade images over the life of the product. Topcon's optimal illumination and observation systems meet the requirements of multiple ophthalmology disciplines.

For Cataract surgery, the combination of the appropriate illumination angle and superb depth of focus gives the surgeon a more detailed stereoscopic image, bright red reflex and better cortical/nuclear distinction.

For vitreous surgery, TOPCON introduces the revolutionary system called "OFFISS (Optical Fiber Free Intravitreal Surgery System)", which dramatically enhances the efficiency of this difficult procedure.

The OMS-800 is truly the optimal microscope for ophthalmology as it incorporates the basic performance requirements with improved advancements for all types of operations.

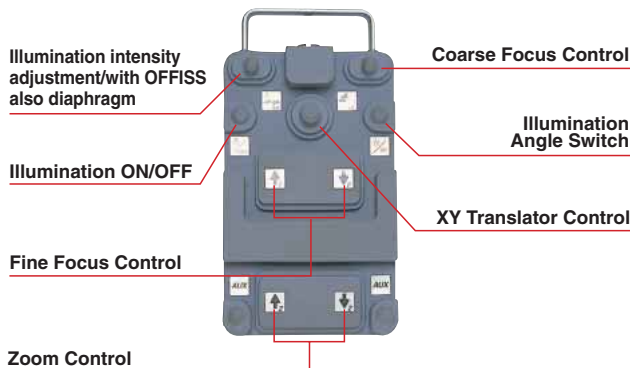


Comfortable operating position

The ergonomically designed optical head with built-in Beam Splitter allows the surgeon to maintain a comfortable posture throughout the surgery. A key component to this comfort is the variable angle binocular tubes that allow for the setting of a personal viewing angle from 45 to 90 degrees. This flexibility assures a comfortable operating position even when using OFFISS.

Multi-function footswitch enhances operating efficiencies

The multi-function footswitch permits the surgeon to control almost all of the OMS-800 functions without having to remove their hands from the operative field. Without any hand movement, the surgeon can alter the illumination intensity, zoom magnification, focus, illumination angle selection and X-Y positioning. On conventional microscopes, many of these functions have to be done by an assistant. The layout of the controls on the footswitch is conveniently arranged in the most popular positions.



Space-saving design provides large working area

The stable, compact base and long support arm of OMS-800 provides a comfortable working area for both the surgeon and assistant.

Easy illumination bulb exchange

The selector lever allows the spare lamp to be immediately rotated into position if the main lamp fails. In addition, a warning lamp indicates when the spare lamp has burned out. This permits the illumination system to be easily checked prior to starting the surgery. This elaborate, fail safe design ensures a more secure condition in the operating theater.

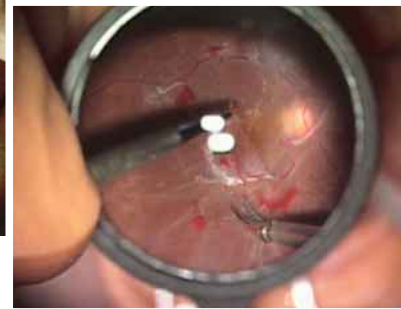
*The above photo is the OMS-800 with SDI II binocular indirect ophthalmomicroscope

Optical Fiber Free Intravitreal Surgery System



OMS-800 OFFISS

***OFFISS opens up the new possibilities
in intravitreal surgery***



Topcon's revolutionary approach to Optical Fiber- Free Illumination

TOPCON has developed a state-of-art observation system for vitrectomy procedures that does not require the use of fiber optic illumination. This new concept for vitreous surgery is called "OFFISS" which stands for " Optical Fiber Free Intravitreal Surgery System". By eliminating the need for fiber optic illumination, the surgeon is now able to use both hands for manipulating surgical instruments during vitrectomies. This technique is referred to as 'Bimanual Surgery' and can only be accomplished with this new microscope. For the first time, the surgeon is free to simultaneously use two instruments such as scissors and forceps, intraocular probes and forceps, or two forceps. *In some cases, fiber optic illumination may be required.

Vitrectomy operations are now easier, safer and faster.

■ **Astonishingly wide visual field**

Unlike conventional methods, OFFISS provides illumination over the whole operative field, even illuminating the peripheral area. This results in a more efficient and safer intraocular operations.

■ **Clear, natural stereoscopic view**

A good stereoscopic view is observed even through patients with small pupil diameters because of the world's first, built-in stereo-variator in an operation microscope.

■ **Reduced flare**

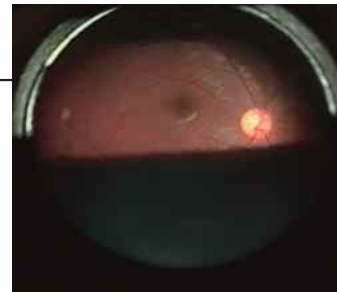
Fundus observation with high contrast and less flare can be achieved with the built-in slit illumination.

■ **Increased working distance**

OFFISS provides exceptional working distance between the 40D non-contact lens and the patient's eye.

■ **Unparalleled image quality during simultaneous cataract and vitreous surgery**

With the advancement of cataract surgery, including techniques such as phacoemulsification, increasing numbers of vitrectomy surgeons are performing simultaneous cataract and vitreous surgery. By adopting a 3-direction illumination system, the OMS-800 provides an improved red-reflex and better shadow-contrast even in situations with low luminance.



OMS-800 Pro

In addition to the OMS-800 standard features, the Model 800 PRO incorporates innovative functions that improves operational efficiency.

■ Electromagnetic Locking function

The reliable electromagnetic locking system enables the surgeon to quickly move the optical head to the preferred position.

■ Dual-Motorized Focusing Mechanism

To bring greater operational ease to the surgeon, Topcon has incorporated a unique dual speed focusing mechanism in the OMS-800's optical head. During some operations, the optical head may have to be swung out of position; i.e. IOL insertion during cataract surgery. Then the optical head is returned to the operative field usually requiring the microscope to be re-focused. Now, the surgeon can easily activate either the coarse or fine vertical movement from the multi-function footswitch to quickly bring the optical field into clear focus.



*Above photo shows OMS-800 OFFISS



OMS-800 Standard

The Model OMS-800 Standard incorporates outstanding performance features

Optional Accessories

■ Variable angle assistant microscope

The assistant microscope provides the viewer with bright, crisp images. The angle of the binocular eyepieces is adjustable from 45 to 90 degrees, offering the assisting surgeon with a comfortable viewing angle.



45 to 90 degree variable



45 degree inclined

■ TV Relay Lens

The TV relay lens permits the attachment of a CCD camera that is useful for documentation and educational presentations. The relay lens allows the most popular 1/2 inch & 1/3 inch CCD cameras with either a C-mount or bayonet mount to be connected to the OMS-800.



■ Second OFFISS Attachment

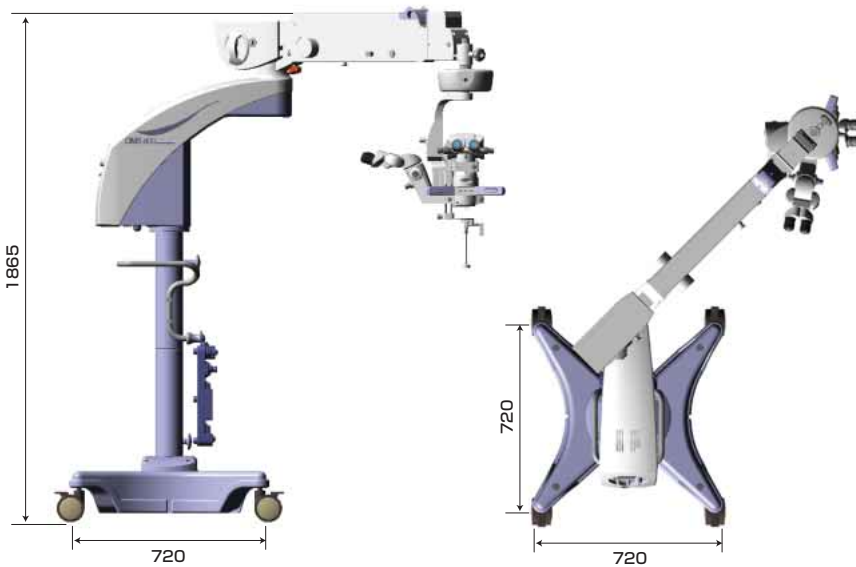
The Model OMS-800 Pro OFFISS is supplied with a second OFFISS attachment. This is helpful when doing successive operations or in cases where the original attachment is damaged. This accessory is housed in its own sterilizable box.



Specification

| | OMS-800 OFFISS | OMS-800 PRO | OMS-800 Standard |
|---------------------------|---|-------------|------------------|
| Type | Galileo Type | | |
| Magnification Selection | Continuous zoom | | |
| Eyepiece | 12.5X | | |
| Objective Lens | f=200mm | | |
| Magnification Indications | 4.2 / 5 / 6 / 7 / 8 / 9 / 11 / 13 / 15 / 17 / 19 / 21 | | |
| Total Magnification | 4.2X -21X | | |
| 1st Arm Length | 375mm | | |
| 1st Arm Rotation | 300° | | |
| 2nd Arm Length | 990mm | 990mm | 900mm |
| 2nd Arm Rotation | 300° | | |
| Focusing Movement | 600mm | | |
| Maximum Arm Load | 6-18kg | 6-18kg | 9-21kg |
| Power Voltage | AC100~120/220~240V 50/60Hz 280VA | | |
| Size | base 720mm(W)x720mm(D) | | |
| | height 1,840mm | | |
| Weight | 249kg | 247kg | 244kg |
| OFFISS | ○ | — | — |
| Magnetic Locking | ○ | ○ | — |

Dimension



Photos courtesy of:
Professor Masayuki Horiguchi,
MD: Ophthalmology Department
Fujita Health University



TOPCON CORPORATION



TOPCON CORPORATION

*Subject to change in design and/or specifications without advanced notice.

IMPORTANT In order to obtain the best results with this instrument, please be sure to review all user instructions prior to operation.



TOPCON CORPORATION

75-1 Hasunuma-cho, Itabashi-ku, Tokyo 174-8580, Japan. Phone: 3-3558-2520 Fax: 3-3960-4214 www.topcon.co.jp

TOPCON MEDICAL SYSTEMS, INC.

37 West Century Road, Paramus, NJ 07652, U.S.A.
Phone: 201-261-9450 Fax: 201-387-2710 www.topcon.com

TOPCON OMNI SYSTEMS, INC.

Valley Forge Business Center, 2430 Blvd. of the Generals,
Norristown, PA 19403, U.S.A.
Phone: 610-630-9200 Fax: 610-630-6428 www.topconomni.com

TOPCON CANADA INC.

110 Provencher Avenue, Boisbriand QC J7G 1N1, CANADA
Phone: 450-430-7771 Fax: 450-430-6457 www.topcon.ca

TOPCON EUROPE B.V.

Essebaan 11, 2908 LJ Capelle a/d IJssel, THE NETHERLANDS
Phone: 010-4585077 Fax: 010-4585045 www.topconeuropa.com

ITALY OFFICE

Via Montefalcone 39, 20092 Cinisello B. (MI), ITALY
Phone: 02-61-25-583 Fax: 02-61-25-927 www.topcon.it

DENMARK OFFICE

Ringstedvej 125, DK-4000 Roskilde, DENMARK
Phone: 046-327500 Fax: 046-327555

IRELAND OFFICE

Unit 69 Western Parkway Business Centre,
Lower Ballymount Road, Dublin 12, IRELAND
Phone: 01460-0021 Fax: 01460-0129

TOPCON S.A.R.L.

89, Rue de Paris 92585 Clichy, Cedex, FRANCE
Phone: 01-41069494 Fax: 01-47390251

TOPCON DEUTSCHLAND G.m.b.H.

Giessereiallee 31-33, D-47877 Willich, Germany
Phone: 02154-8850 Fax: 02154-885111 www.topcon.de

TOPCON SCANDINAVIA A.B.

Neogatan 2 S-43151 Molndal, SWEDEN
Phone: 31-7109200 Fax: 31-7109249

TOPCON ESPAÑA S.A.

Frederic Mompou 5, ED. Euro 3, 08960 Sant Just Desvern Barcelona, SPAIN
Phone: 34-93-4734057 Fax: 34-93-4733932 www.topcon.es

TOPCON (GREAT BRITAIN) LTD.

Topcon House, Kennet Side, Bone Lane, Newbury,
Berkshire RG14 5PX United Kingdom
Phone: 01635-551120 Fax: 01635-551170 www.topcon.co.uk

TOPCON SOUTH ASIA PTE.LTD.

Bk 192 Pandan Loop, #07-01 Pantech Industrial Complex, Singapore 128381
Phone: 62780222 Fax: 62733540 www.topcon.com.sg

TOPCON AUSTRALIA PTY.LTD.

408 Victoria Road, Gladesville, NSW 2111, AUSTRALIA
Phone: 02-9617-4666 Fax: 02-9617-4654 www.topcon.com.au

TOPCON INSTRUMENTS (MALAYSIA) SDN. BHD.

Exella Business Park Block C, 1st Floor, Jalan Ampang Putra,
Taman Ampang Hilir, 55100 Kuala Lumpur, MALAYSIA
Phone: 03-42701192 Fax: 03-42704508

TOPCON INSTRUMENTS (THAILAND) CO.,LTD.

77/62 Sinn Sathorn Tower, 37th Floor, Krungthorbnuri Road,
Klongtonnai, Klongsarn, Bangkok 10600 THAILAND
Phone: 02-440-1152-7 Fax: 02-440-1158

TOPCON KOREA CORPORATION

2F Yoooseoung Bldg., 1595-3, Seocho-Dong, Seocho-Gu, Seoul, 137-876, Korea
Phone: 2-2055-0321-7 Fax: 2-2055-0319 www.topcon.co.kr

TOPCON OPTICAL(H.K.) LTD.

2/ F., Meeco Industrial Bldg., No.53-55 Au Pui Wan Street,
Fo Tan Road, Shatin, N.T., Hong Kong
Phone: 852-2690-1328 Fax: 852-2690-2221 www.topcon.com.hk

TOPCON CORPORATION BEIJING OFFICE

Room 8A Poly Plaza Building, 14 Dongzhimen
Nandajie, Dongcheng District, Beijing, 100027 CHINA
Phone: 10-6501-4191-2 Fax: 10-6501-4190

TOPCON CORPORATION SHANGHAI OFFICE

Room 901-903 Lippo Plaza No.222 Huai Hai Zhong Lu Shanghai, 20021 CHINA
Phone: 21-62701877 Fax: 21-53966485

TOPCON CORPORATION BEIRUT OFFICE

P.O. BOX 70-1002 Antelias, BEIRUT-LEBANON
Phone: 961-4-523525/523526 Fax: 961-4-521119

TOPCON CORPORATION DUBAI OFFICE

C/O Atlas Medical FZCO., P.O. BOX 54304, C-25,
Dubai Airport Free Zone, United Arab Emirates
Phone: 971-4-2955900 Fax: 971-4-2955901